



kit-gl

**Universal Extra Power Supply
Version 1.0**

Content

| | |
|--------------------|---|
| Introduction..... | 3 |
| Specification..... | 3 |
| Schematic..... | 3 |
| PCB..... | 4 |
| BOM..... | 4 |

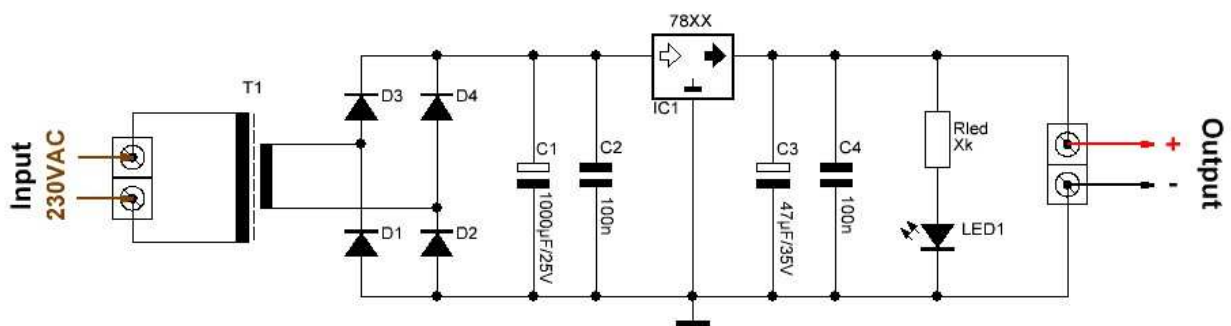
Introduction

Universal kit for an extra power supply which can be used for i.e. channel switching tasks, relays, optocoupler, LEDs, etc.. Available as 6, 9 or 12 Volt version.

Specification

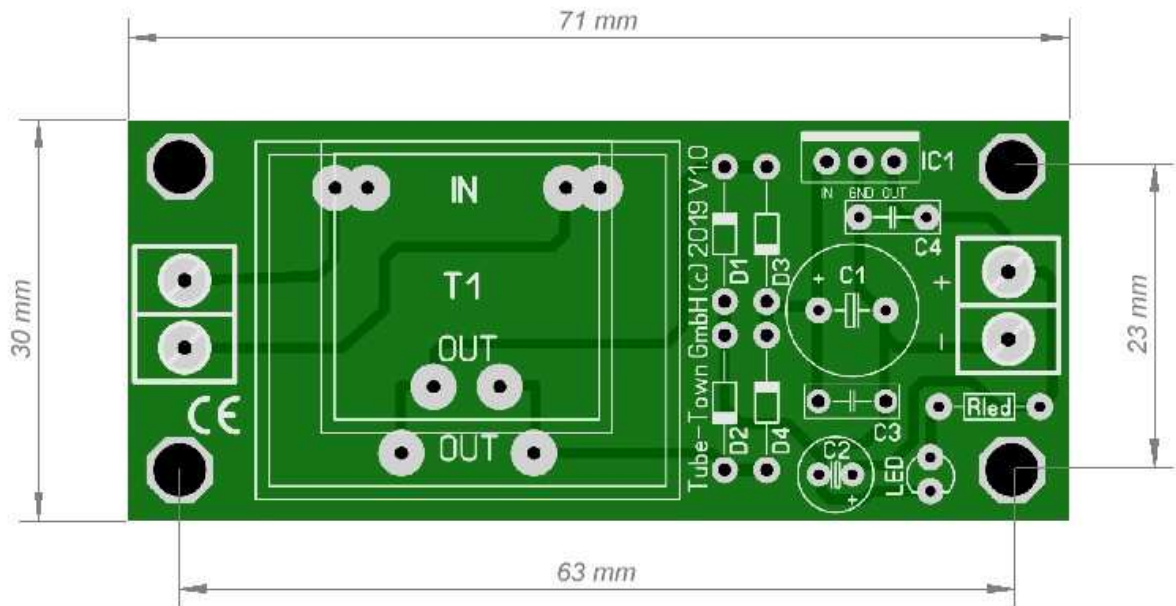
- Input Voltage: 230 VAC
- Output Voltage: 6 VDC (kit-gl6), 9VDC (kit-gl9) or 12VDC (kit-gl12)
- Maximum Output Current: 333 mA (kit-gl6), 222 mA (kit-gl9), 166 mA (kit-gl12)

Schematic



- The schematic is the same for all kit-gl
- The parts T1, IC1 and Rled differ, depending on the chosen kit. See table on the following page

PCB



BOM

| Part | Value |
|--------|------------------|
| D1-D4 | 1N4007 |
| C1 | 1000 μ F/25V |
| C2, C4 | 100nF/50V |
| C3 | 47 μ F/35V |
| IC1 | IC1* |
| T1 | T1* |
| Rled | Rled* |
| LED1 | low current, red |

* depending on kit

| kit-gl6 | kit-gl9 | kit-gl12 |
|-------------------|-------------------|-------------------|
| IC1: 7806 | IC1: 7809 | IC1: 7812 |
| T1: 230VAC/6VAC | T1: 230VAC/9VAC | T1: 230VAC/12VAC |
| Rled: 2,2 kOhm/1W | Rled: 3,9 kOhm/1W | Rled: 5,6 kOhm/1W |