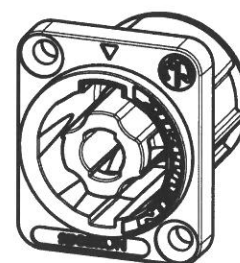
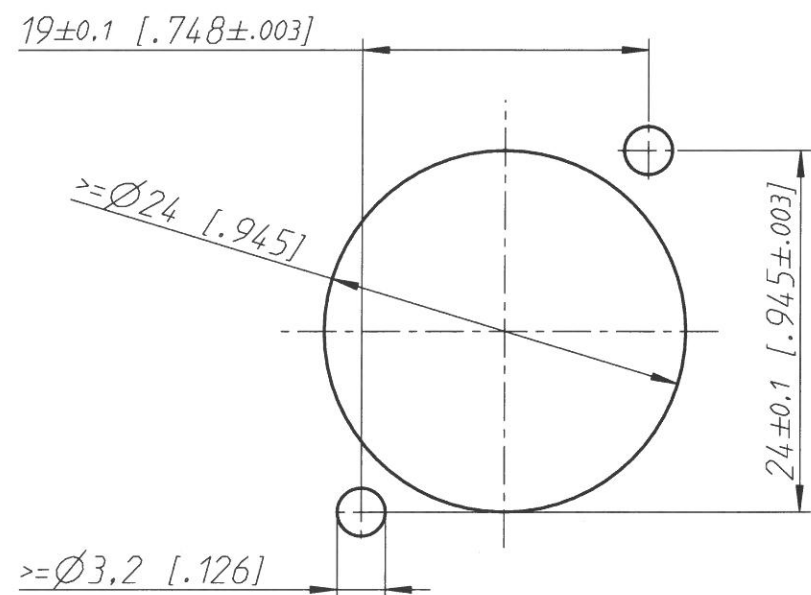


Frontplattenausschnitt Rückseite  
panel cutout rearside



1:1

General tolerances ISO 2768-m	Scale	Date	Name
Refer to protection notice ISO 16016.	2:1 (A3)	18.10.19	Hofmann
Name	Modified	Change-No.	Sheet-No.
NL4MPXX	-	-	1 / 1
Replacement for:		Drawing-No.	Index
NEUTRIK		20002406	-